

IP40 boxes for Idea - TECHNICAL CHARACTERISTICS

Scope

The IP40 surface boxes extend the utilization possibilities of Idea series in locations where the IP40 protection degree is required (store rooms, basements, boiler-rooms, mechanical workshops, etc.) in compliance with Italian Standard CEI 64-8.

Technical specifications

- protection degree IP40 in compliance with Italian Standard EN 60529 (CEI 70-1)
- granted if the installation has been done according to good engineering practice, with the use of appropriate cable/conduit entries, glands and coupling accessories and with closed cover.
- for equipments with open front (i.e. socket outlets) the protection degree referred to the equipments front is lower than IP40, but it is never lower than IP20
- resistance to heat and to fire (Glow Wire test): 650 °C
- resistance to ageing according to Italian Standards CEI 23-48: 7 days at 70 °C
- resistance to heat: ball-pressure test, according to Italian Standard CEI 23-48: 70 °C

Acceptable switches

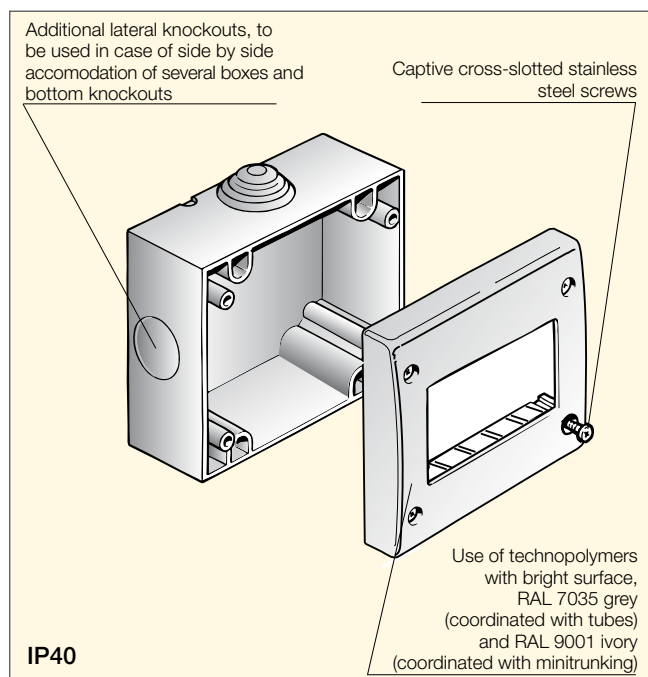
- Idea switches (up to 4 side-by-side modules)
- 8000 special module switches (up to 4 side-by-side modules)
- 8000 standard module switches with adaptor 08491 (up to 4 side-by-side modules)

Multiple side-by-side installation

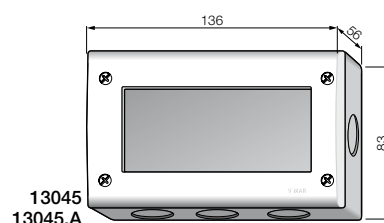
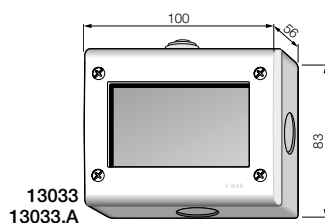
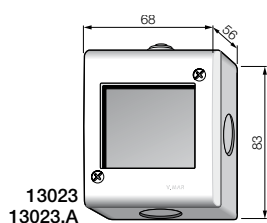
Thanks to their design and construction, the boxes are suitable for multiple side-by-side installations.

Conformity to Standards

LV Directive
EN 60670-1 Standard



Dimensions (in mm)



IP40 boxes for Idea

2-module box

13023	2 Idea modules or 2-special-module 8000 box. Supplied with 2 adaptors 08491 for 8000 standard module mounting, RAL 7035 grey
13023.A	As above, ivory



13023



13023.A

3-module box

13033	3-module Idea or 3-special-module 8000 box. Supplied with 3 adaptors 08491 for 8000 standard module mounting, RAL 7035 grey
13033.A	As above, ivory



13033



13033.A

4-module box

13045	4-module Idea or 4 special module 8000 box. Supplied with 4 adaptors 08491 for 8000 standard module mounting, RAL 7035 grey
13045.A	As above, ivory



13045



13045.A

IP55 boxes for Idea - TECHNICAL CHARACTERISTICS

Scope

The IP55 surface boxes extend the utilization possibilities of Idea series in locations where the IP55 protection degree is required (industrial and agricultural environments, buildings sites, tourists harbours, sport installations, gardens, camping sites, ecc.).

They furthermore permit to realize electrical installations in locations where explosions or fires are liable to occur, in compliance with Italian standards EN 60079 and CEI 64-2.

Technical specifications

- protection degree Ip 55 in compliance with CEI EN 60529 (CEI 70-1)
- granted if installation has been done according to good engineering practice, with the use of appropriate cable/conduit entries, glands and coupling accessories and with closed cover
- resistance to abnormal heat and to fire (Glow Wire test): 650 °C
- resistance to ageing according to CEI 23-48: 7 days at 70 °C
- resistance to heat: ball-pressure test according to Italian Standard CEI 23-48: 70 °C

Acceptable switches

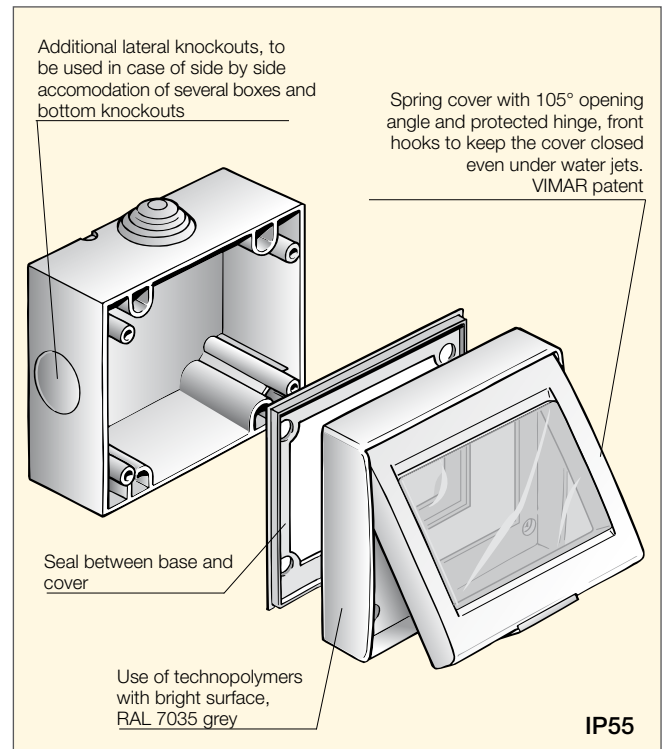
- Idea switches (up to 4 side-by-side modules)
- 8000 special module switches (up to 4 side-by-side modules)
- 8000 standard module switches with adaptor 08491 (up to 4 side-by-side modules)

Multiple side-by-side installation

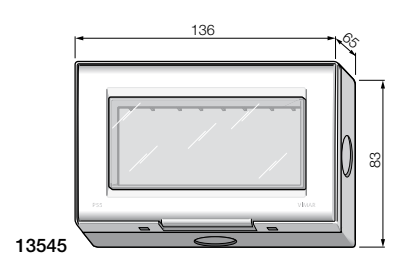
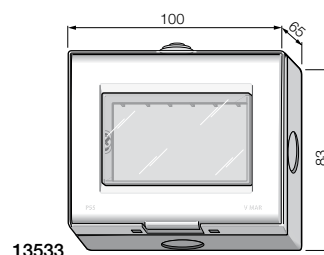
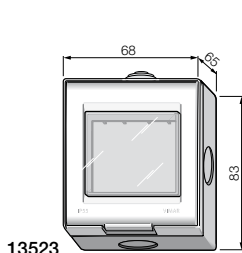
Thanks to their design and construction, the boxes are suitable for multiple side-by-side installations.

Conformity to Standards

LV Directive
EN 60670-1 Standard



Dimensions (in mm)



IP55 boxes for Idea

2-module box

13523 2 Idea modules or 2-special-module 8000 box. Supplied with 2 adaptors 08491 for 8000 standard module mounting, RAL 7035 grey



13523

3-module box

13533 3-module Idea or 3-special-module 8000 box. Supplied with 3 adaptors 08491 for 8000 standard module mounting, RAL 7035 grey



13533

4-module box

13545 4-module Idea or 4-special-module 8000 box. Supplied with 4 adaptors 08491 for 8000 standard module mounting, RAL 7035 grey



13543

IP55 covers for Idea - TECHNICAL CHARACTERISTICS

Technical specifications

- IP55 protection degree in compliance with Standards EN 60529 (CEI 70-1)
- granted at following installation and operating conditions:
 - with cover mounted on ordinary flush mounting boxes on waterproof smooth walls without grooves, with closed cover
 - 3-module mounted on flush mounting box 13731.S on any wall, with closed cover
- resistance to abnormal heat and to fire (Glow Wire test): 650 °C
- resistance to ageing, according to Italian Standard CEI 23-48: 7 days at 70 °C
- resistance to heat: ball-pressure test, according to Italian Standard CEI 23-48: 70 °C

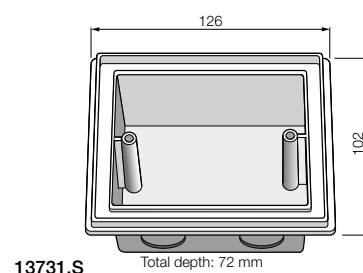
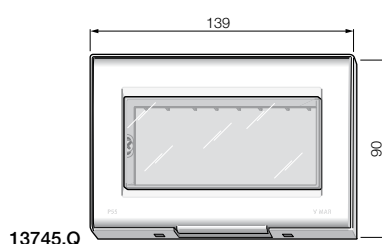
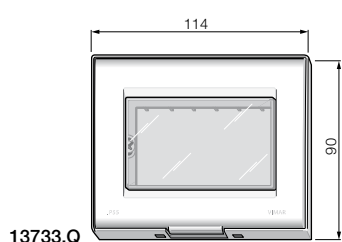
Acceptable switches

- Idea switches (up to 4 side-by-side modules)
- 8000 special module switches (up to 4 side-by-side modules)
- 8000 standard module switches with adaptor 08491 (up to 4 side-by-side modules)

Conformity to Standards

LV Directive
EN 60670-1 Standard

Dimensions (in mm)



IP55 covers for Idea

3-module cover**13733.Q** 3-module Idea or 3-special-module 8000 cover, RAL 7035 grey**13733.Q.A** As above, RAL 9001 ivory

The IP55 protection degree is guaranteed with installation on waterproof smooth walls without grooves.



13733.Q



13733.Q.A

Mounting box for covers**13731.S** 3-module mounting box for 13733.Q, 13733.Q.A, 13731.Q, 13731.Q.A

13731.S

4-module cover**13745.Q** 4-module Idea or 4-special-module 8000 cover, RAL 7035 grey**13745.Q.A** As above, RAL 9001 ivory

The IP55 protection degree is guaranteed with installation on waterproof smooth walls without grooves.



13745.Q



13745.Q.A